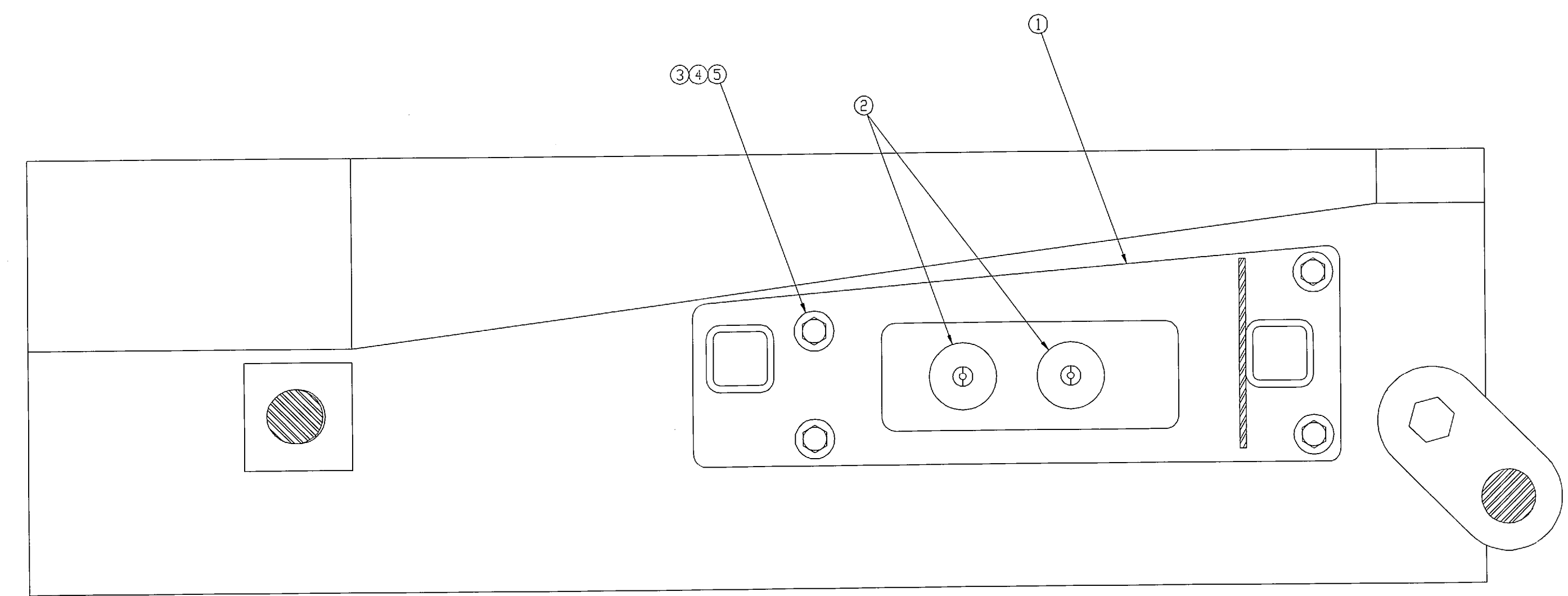
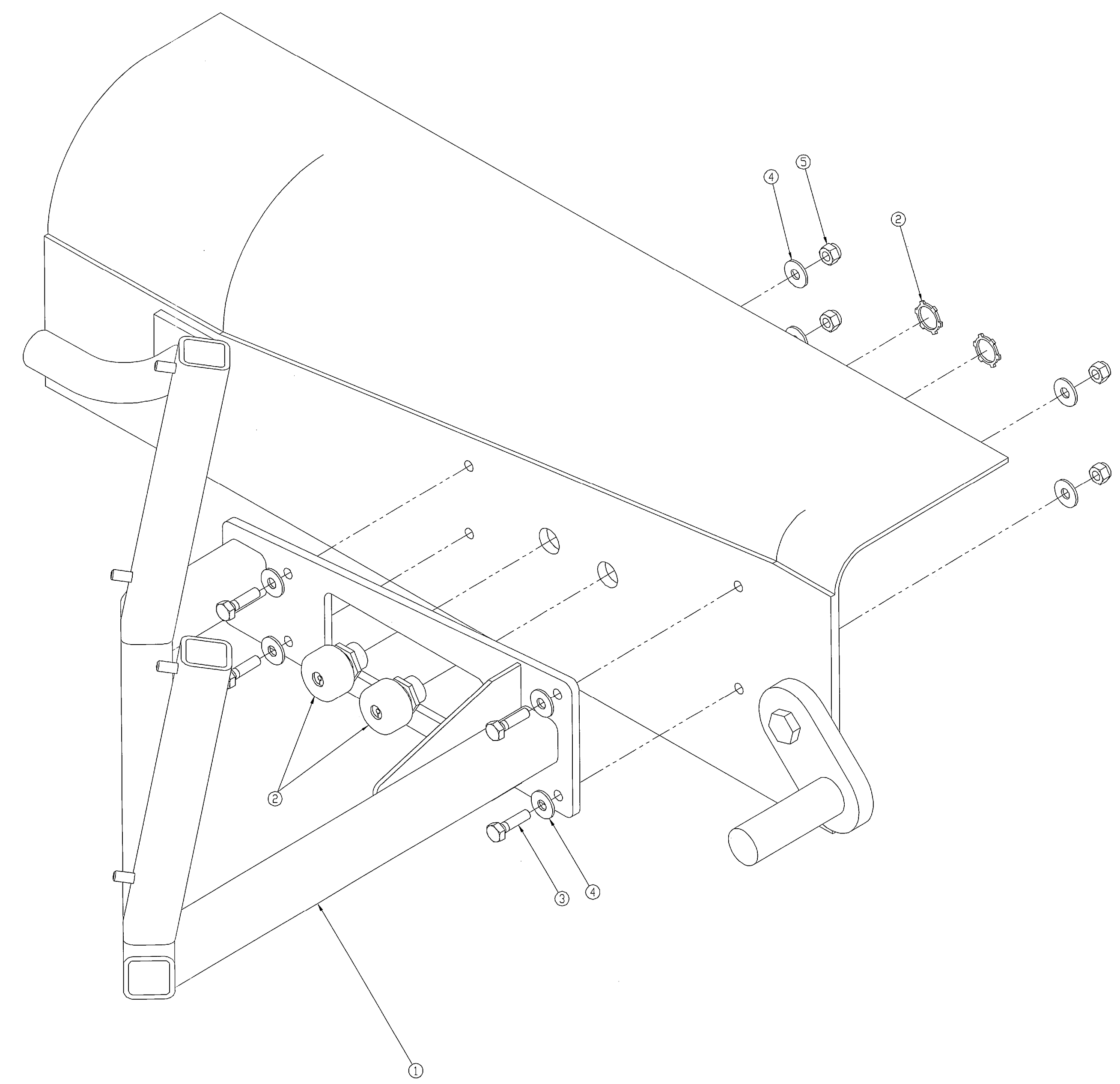
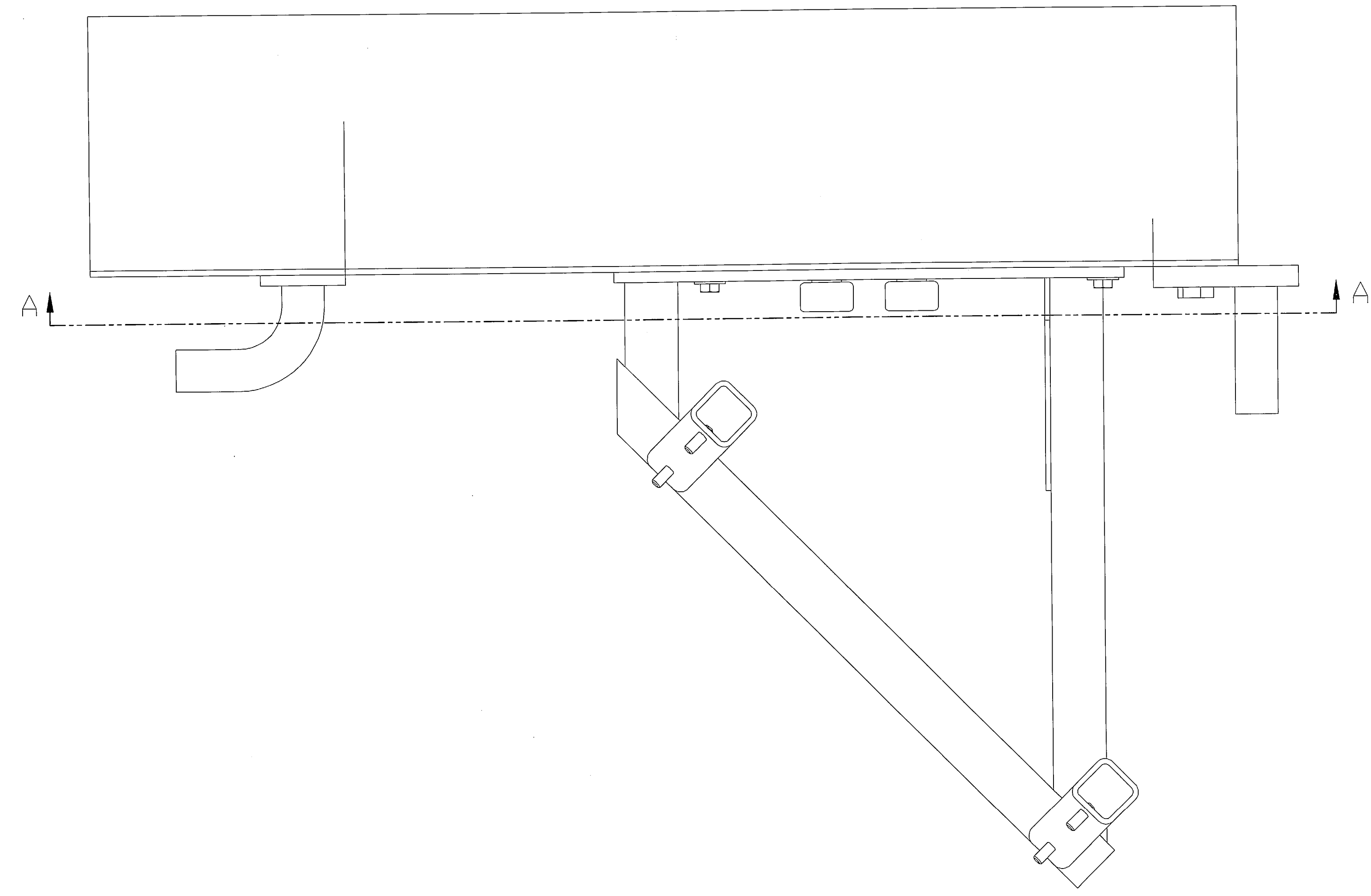
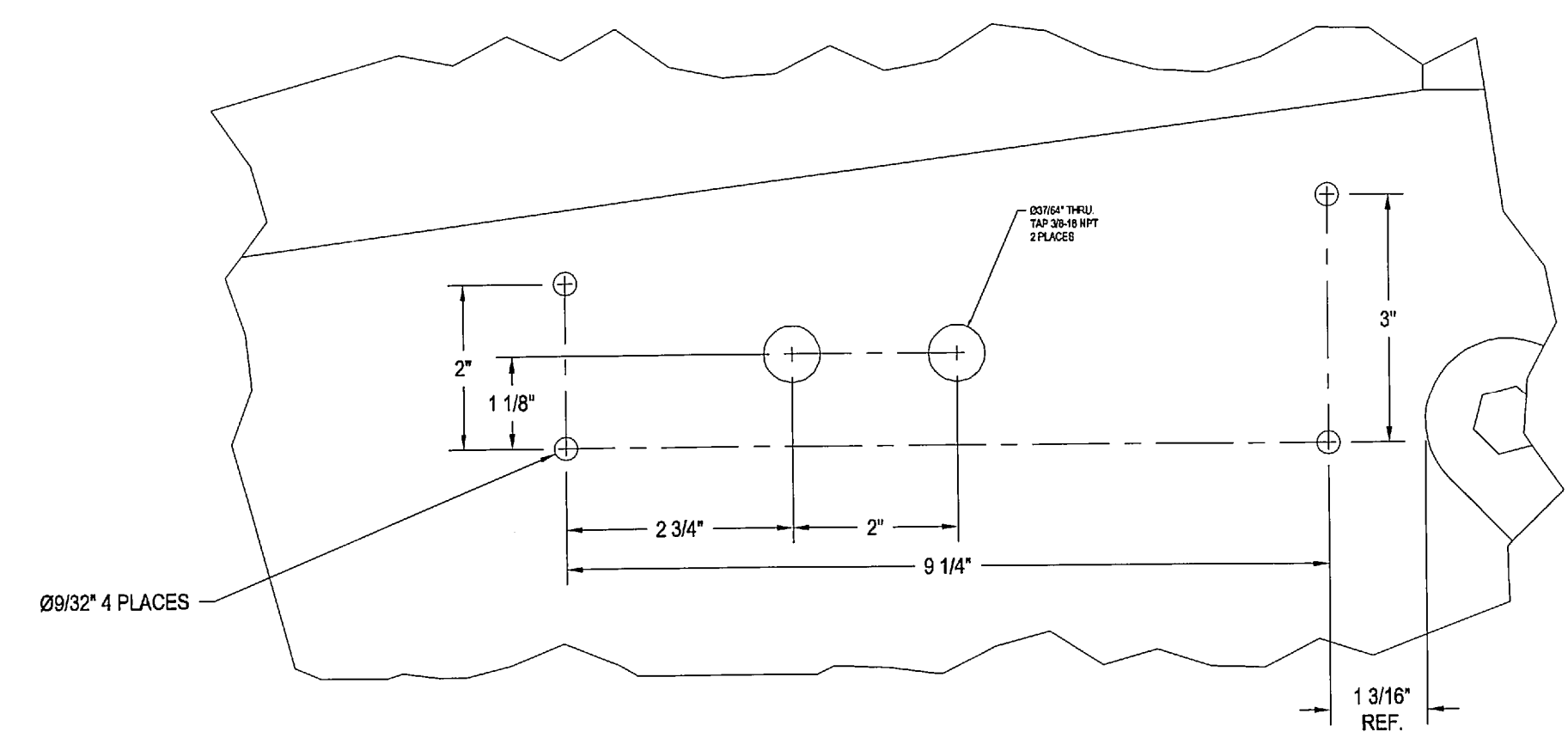


ASSEMBLY LIST				
ITEM	QTY./ASSY.	DESCRIPTION	REF. DRAWING	PART NO.
1	1	MOUNTING BRACKET ASSEMBLY	2	-
2	2	CORD GRIP MCMASTER-CARR	-	7529K201
3	4	1/4-20 X 1 in. LONG HEX BOLT	-	-
4	8	1/4 in. FLAT WASHER TYPE "A" NARROW	-	-
5	4	1/4-20 NYLOCK NUT	-	-



SECTION A-A



1 HOLE PATTERN

- SURFACE TREATMENT: MATTE BLACK
- NOTES:
1. DRILL HOLES IN PANEL FOR ITEMS 1 AND 2.
 2. WIRE POWER CABLE FROM CORD GRIP ITEM 2 TO PLUG INTO BACK OF LDU.
 3. WIRE ETHERNET CABLE FROM CORD GRIP ITEM 2 TO PLUG INTO BACK OF LDU.

REV.	DATE	BY	REVISION

ALASKA RAILROAD CORPORATION
ENGINEERING SERVICES
P.O. BOX 107500, ANCHORAGE, ALASKA 99510-7500

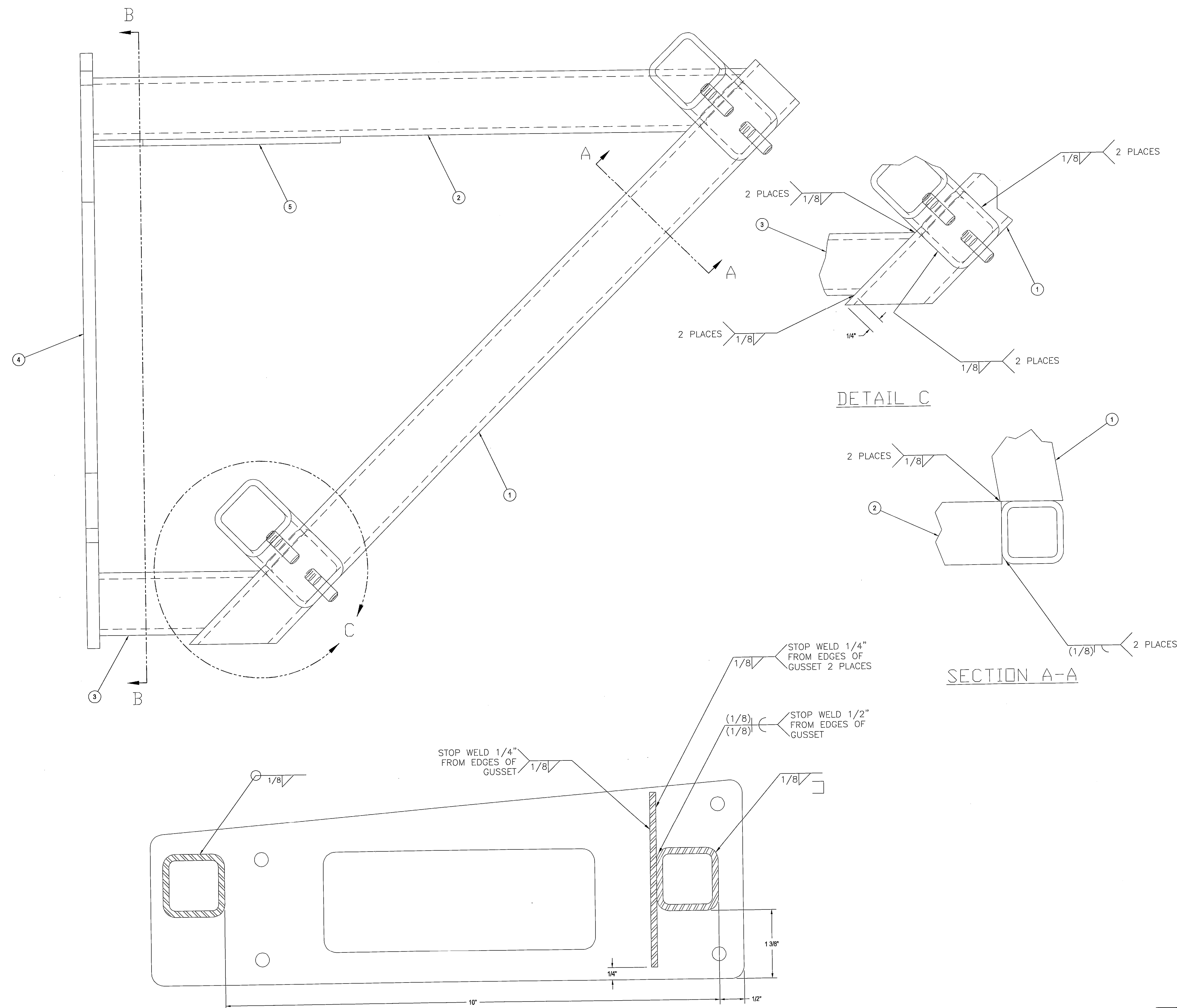
PROJECT: COLLISION AVOIDANCE SYSTEMS
INSTALL HARDWARE

TITLE: F40 CONDUCTOR LDU MOUNTING BRACKET APPLICATION

DESIGNED BY: EAB
DRAWN BY: EAB
CHECKED BY: [Signature]
APPROVED BY: [Signature]

SCALE: N/A
DATE: 20/01/10
SHEET NO. 1 OF 9

ASSEMBLY LIST				
ITEM	QTY./ASSY.	DESCRIPTION	REF. DRAWING	PART NO.
1	1	MOUNTING BRACKET LDU MOUNT SUB-ASSEMBLY	3	--
2	1	MOUNTING BRACKET LONG SIDE TUBE	6	--
3	1	MOUNTING BRACKET SHORT SIDE TUBE	7	--
4	1	MOUNTING BRACKET MOUNTING PLATE	8	--
5	1	MOUNTING BRACKET GUSSET	9	--



DETAIL C

SECTION A-A

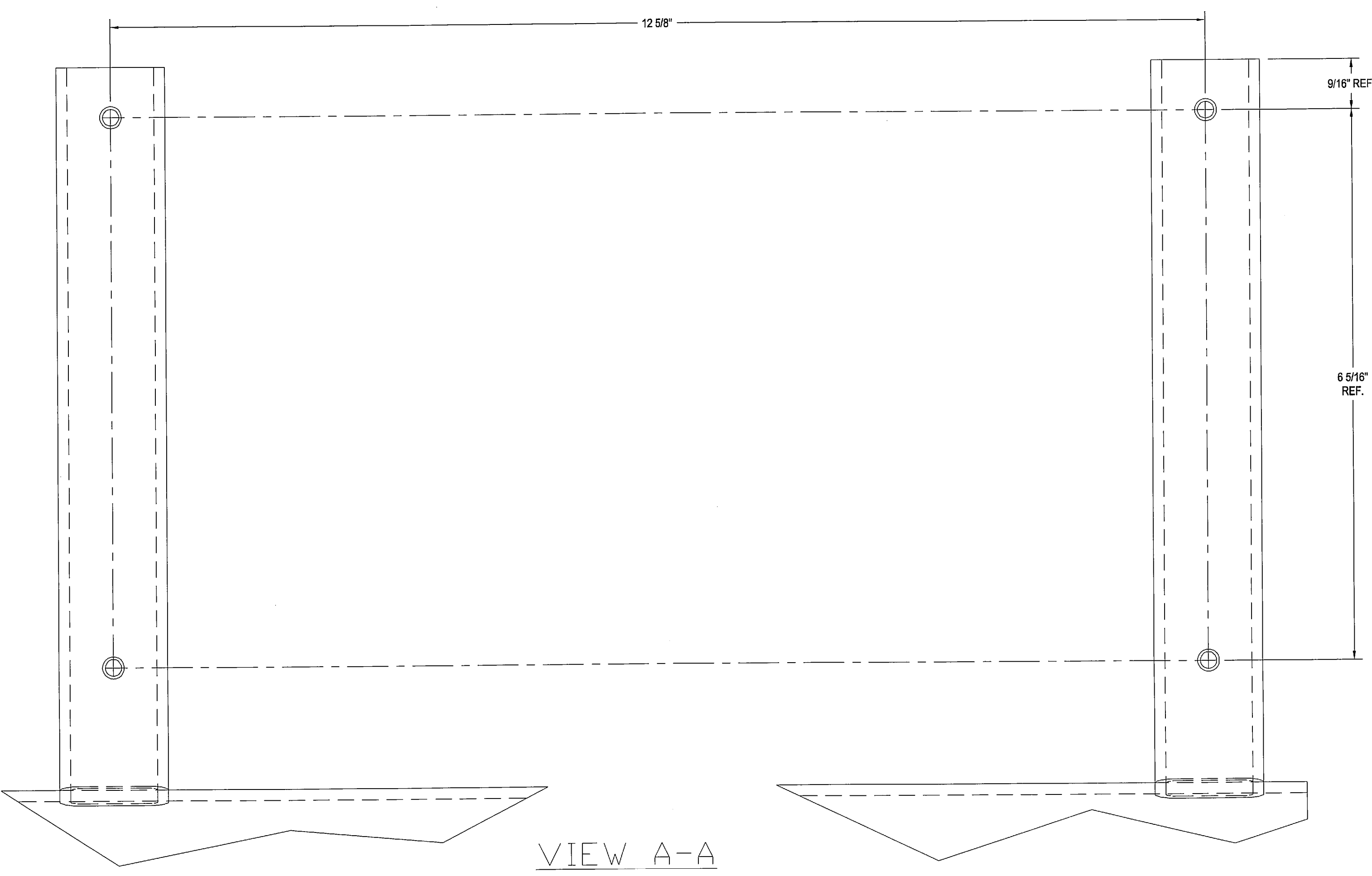
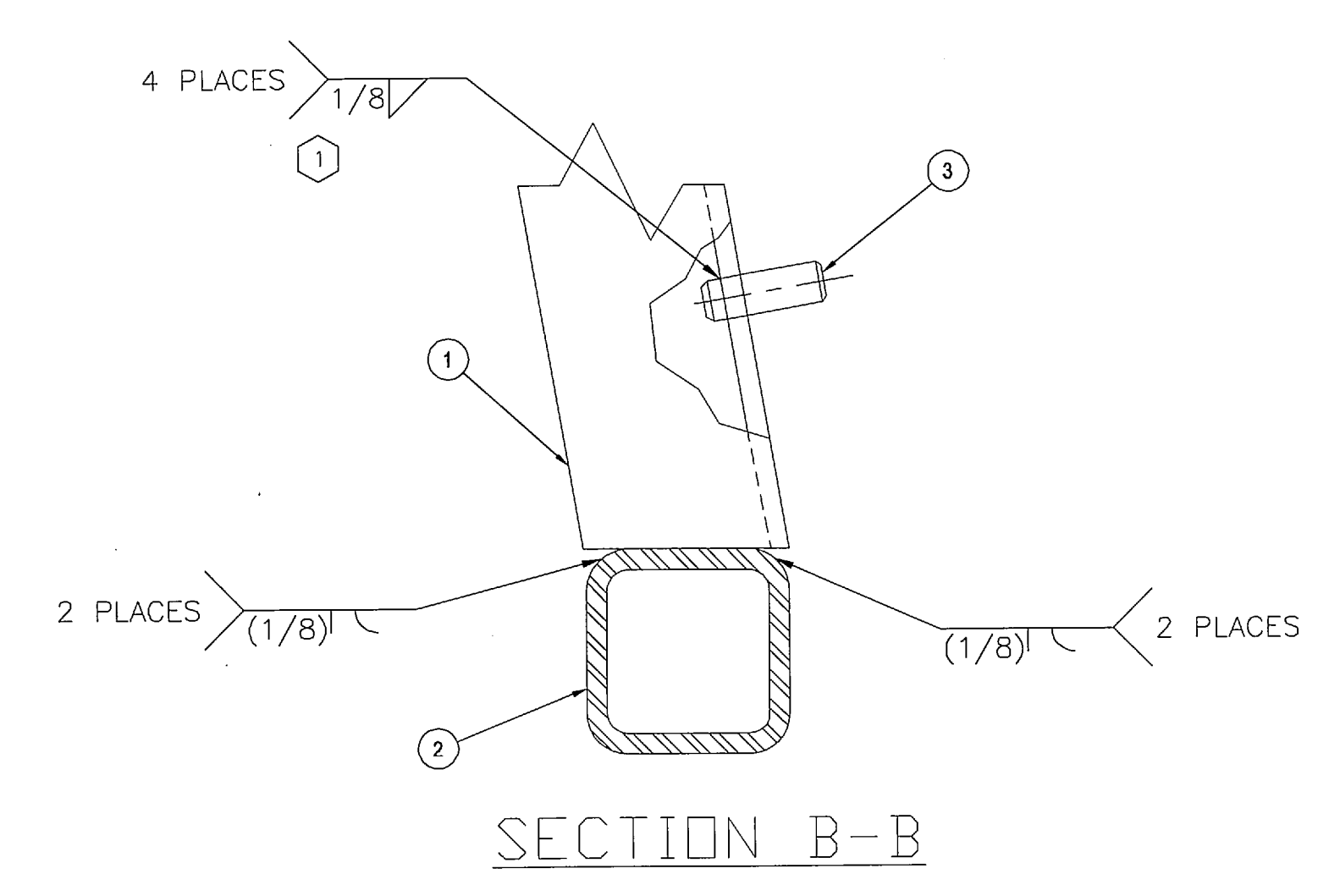
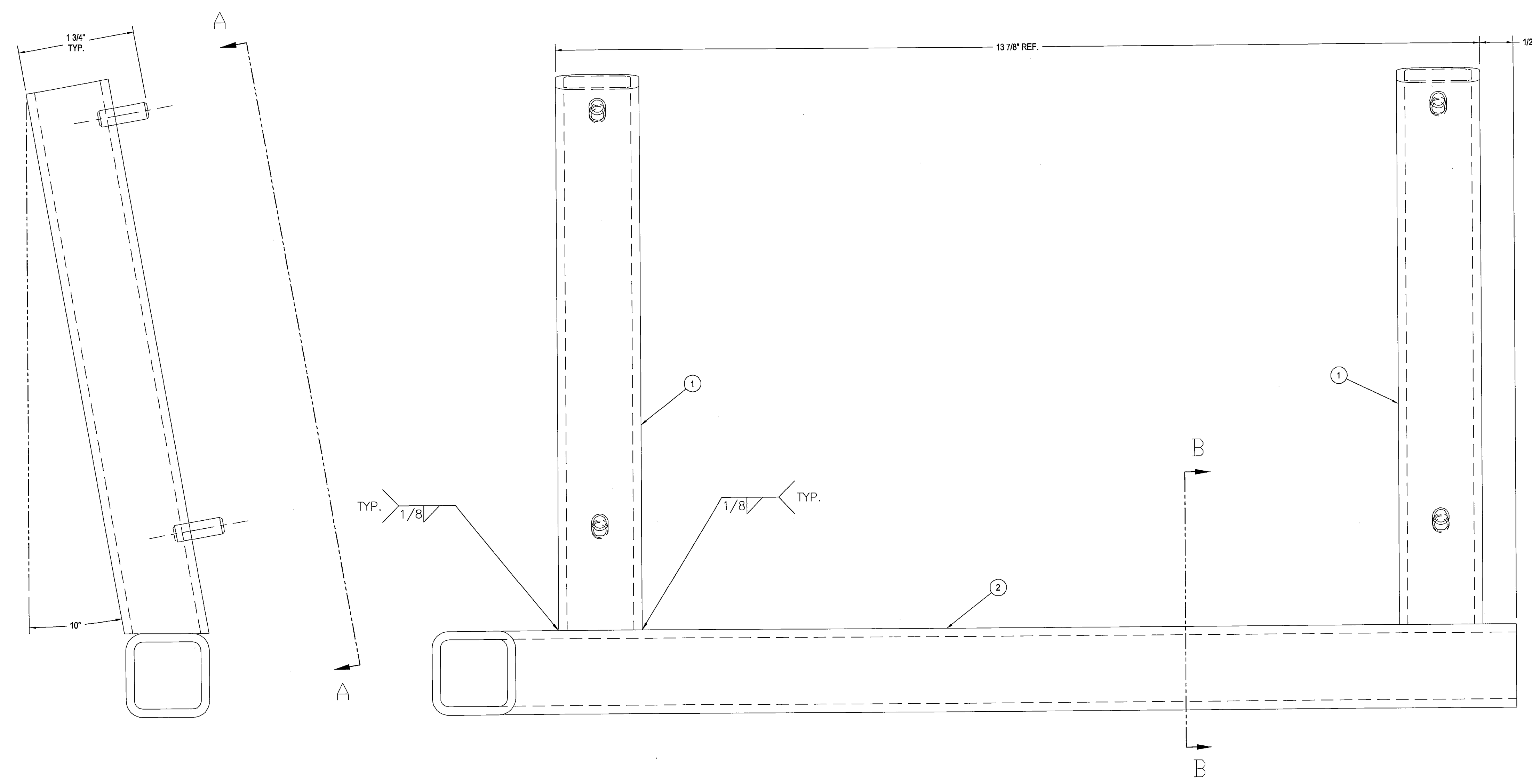
SECTION B-B

SURFACE TREATMENT: MATTE BLACK AFTER WELDING
 NOTES:
 1. BREAK ALL EDGES 1/16" RADIUS.

ALASKA RAILROAD CORPORATION ENGINEERING SERVICES P.O. BOX 107500, ANCHORAGE, ALASKA 99510-7500	
COLLISION AVOIDANCE SYSTEMS INSTALL HARDWARE	
MOUNTING BRACKET ASSEMBLY	
DESIGNED BY: EAB DRAWN BY: EAB CHECKED BY: EAB APPROVED BY:	SCALE: N/A DATE: 26/01/10 REV. NO. 2 OF 9

REV.	DATE	BY	REVISION

ASSEMBLY LIST				
ITEM	QTY./ASSY.	DESCRIPTION	REF. DRAWING	PART NO.
1	2	MOUNTING BRACKET VERTICAL TUBE	4	-
2	1	MOUNTING BRACKET LOWER TUBE	5	-
3	4	1/4"-20 X 5/8" STUD WITH 1/2" PROJECTION	-	91565A130

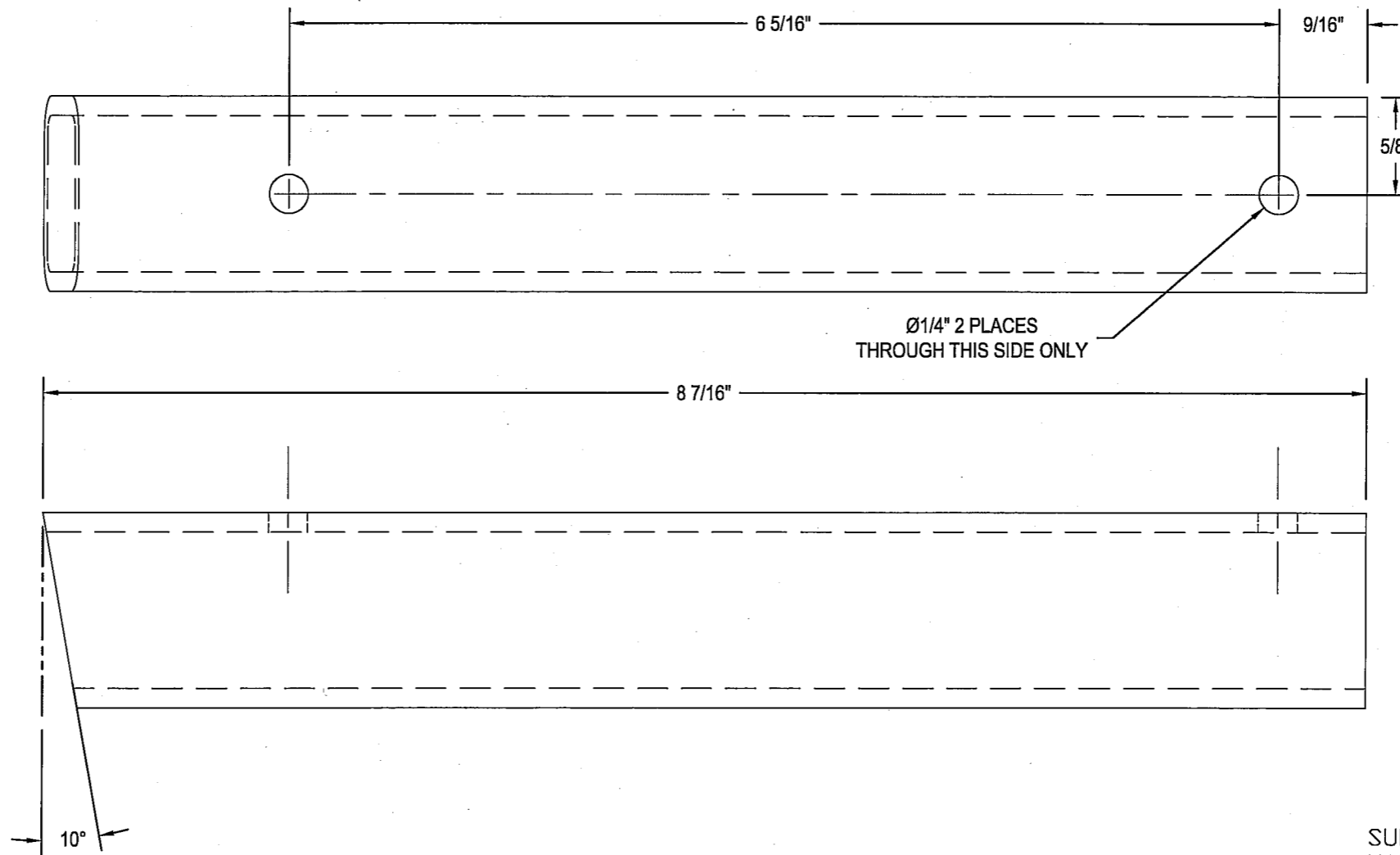
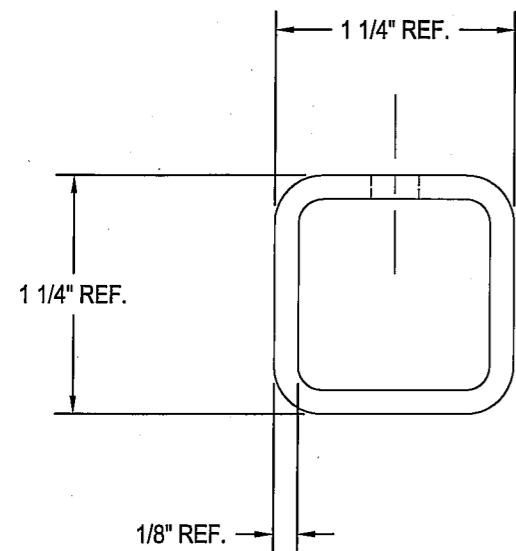


SURFACE TREATMENT: MATTE BLACK AFTER WELDING

NOTES:


- TACK WELD STUDS INSIDE OF TUBES BEFORE WELDING TUBES.
- BREAK ALL EDGES 1/16\"/>

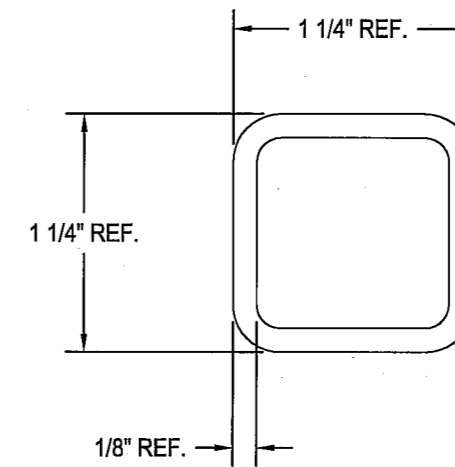
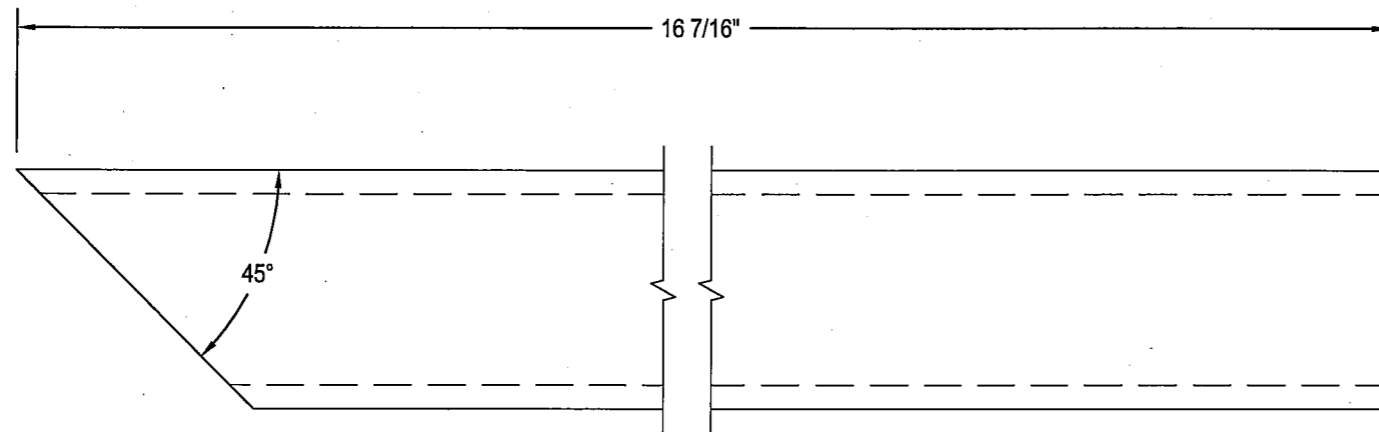
ALASKA RAILROAD CORPORATION ENGINEERING SERVICES			
P.O. BOX 107500, ANCHORAGE, ALASKA 99510-7500			
PROJECT: COLLISION AVOIDANCE SYSTEMS INSTALL HARDWARE			
TITLE: MOUNTING BRACKET SUB-ASSEMBLY			
DESIGNED BY: EAB	SCALE: N/A	SHEET NO.: 14112	FILE NO.:
DRAWN BY: EAB		ISSUE NO.:	
CHECKED BY: <i>EAB</i>	DATE: 25/01/10	DWG. NO.:	
APPROVED BY:			3 OF 9



SURFACE TREATMENT: NONE
 MATERIAL IS 1-1/4" X 1-1/4" X 1/8"
 WALL STEEL TUBING

REV.	DATE	BY	REVISION

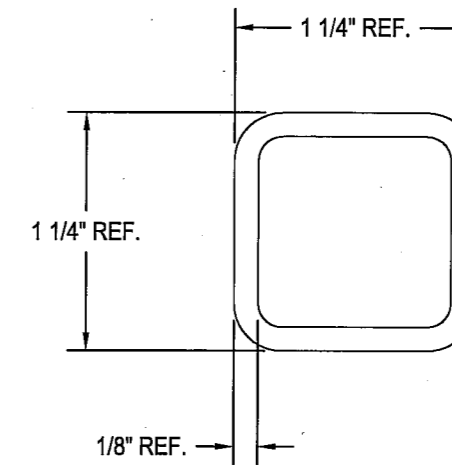
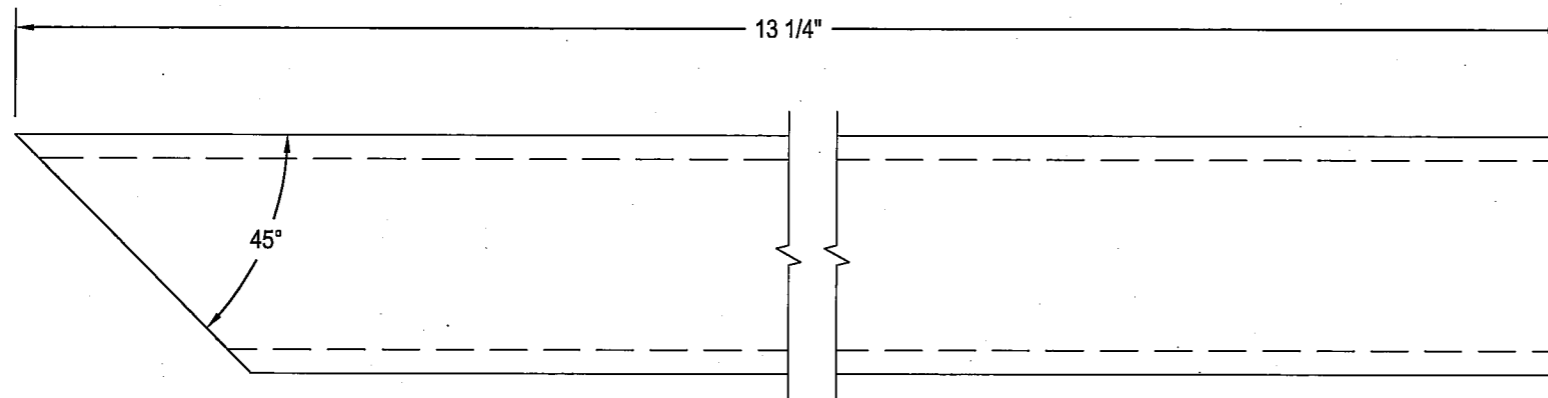
 ALASKA RAILROAD CORPORATION ENGINEERING SERVICES P.O. BOX 107500, ANCHORAGE, ALASKA 99510-7500		
PROJECT: COLLISION AVOIDANCE SYSTEMS INSTALL HARDWARE		
TITLE: MOUNTING BRACKET VERTICAL TUBE		
DESIGNED BY: EAB	SCALE: N/A	AFE NO.: 14412
DRAWN BY: EAB	DATE: 19/01/10	ACAD FILE:
CHECKED BY: EAB		DWG NO. 4 OF 9
APPROVED BY:		



SURFACE TREATMENT: NONE
 MATERIAL IS 1-1/4" X 1-1/4" X 1/8"
 WALL STEEL TUBING


 ALASKA RAILROAD CORPORATION ENGINEERING SERVICES P.O. BOX 107500, ANCHORAGE, ALASKA 99510-7500		
PROJECT : COLLISION AVOIDANCE SYSTEMS INSTALL HARDWARE		
TITLE: MOUNTING BRACKET LOWER TUBE		
DESIGNED BY: EAB	SCALE : N/A	AFE NO.: 14412
DRAWN BY: EAB		ACAD FILE:
CHECKED BY: <i>EAS</i>	DATE : 20/01/10	DWG NO.
APPROVED BY:		5 OF 9

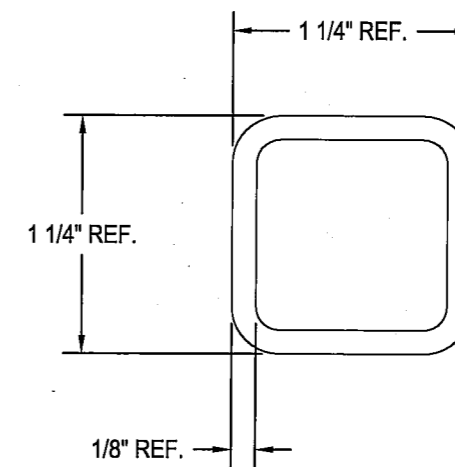
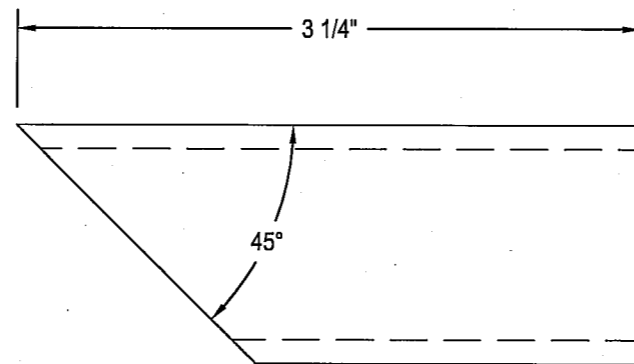
REV.	DATE	BY	REVISION




SURFACE TREATMENT: NONE
 MATERIAL IS 1-1/4" X 1-1/4" X 1/8"
 WALL STEEL TUBING

REV.	DATE	BY	REVISION

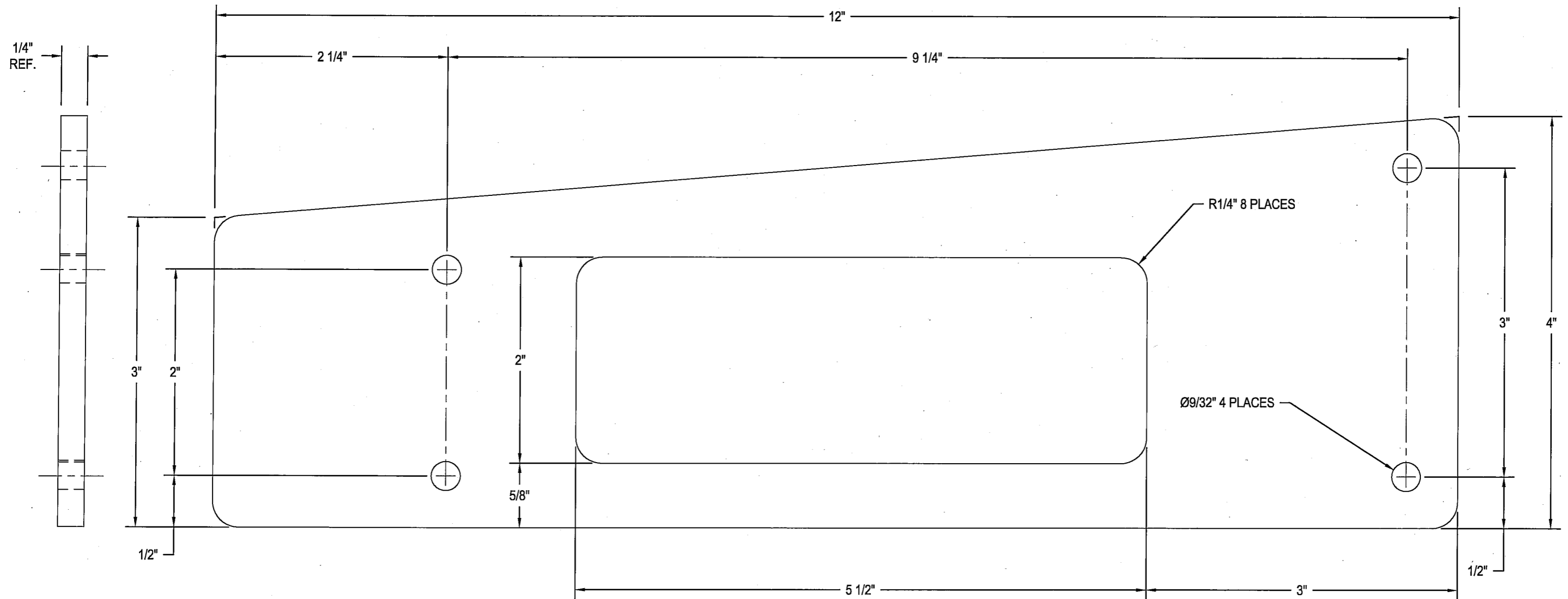
 ALASKA RAILROAD CORPORATION ENGINEERING SERVICES P.O. BOX 107500, ANCHORAGE, ALASKA 99510-7500		
PROJECT : COLLISION AVOIDANCE SYSTEMS INSTALL HARDWARE		
TITLE: MOUNTING BRACKET LONG SIDE TUBE		
DESIGNED BY: EAB	SCALE : N/A	AFE NO.: 14412
DRAWN BY: EAB		ACAD FILE:
CHECKED BY: <i>EAB</i>	DATE : 20/01/10	DWG NO.
APPROVED BY:		6 OF 9




SURFACE TREATMENT: NONE
 MATERIAL IS 1-1/4" X 1-1/4" X 1/8"
 WALL STEEL TUBING

 ALASKA RAILROAD CORPORATION ENGINEERING SERVICES P.O. BOX 107500, ANCHORAGE, ALASKA 99510-7500		
PROJECT: COLLISION AVOIDANCE SYSTEMS INSTALL HARDWARE		
TITLE: MOUNTING BRACKET SHORT SIDE TUBE		
DESIGNED BY: EAB	SCALE: N/A	AFE NO.: 14412
DRAWN BY: EAB		ACAD FILE:
CHECKED BY: EAB	DATE: 20/01/10	DWG NO.
APPROVED BY:		7 OF 9

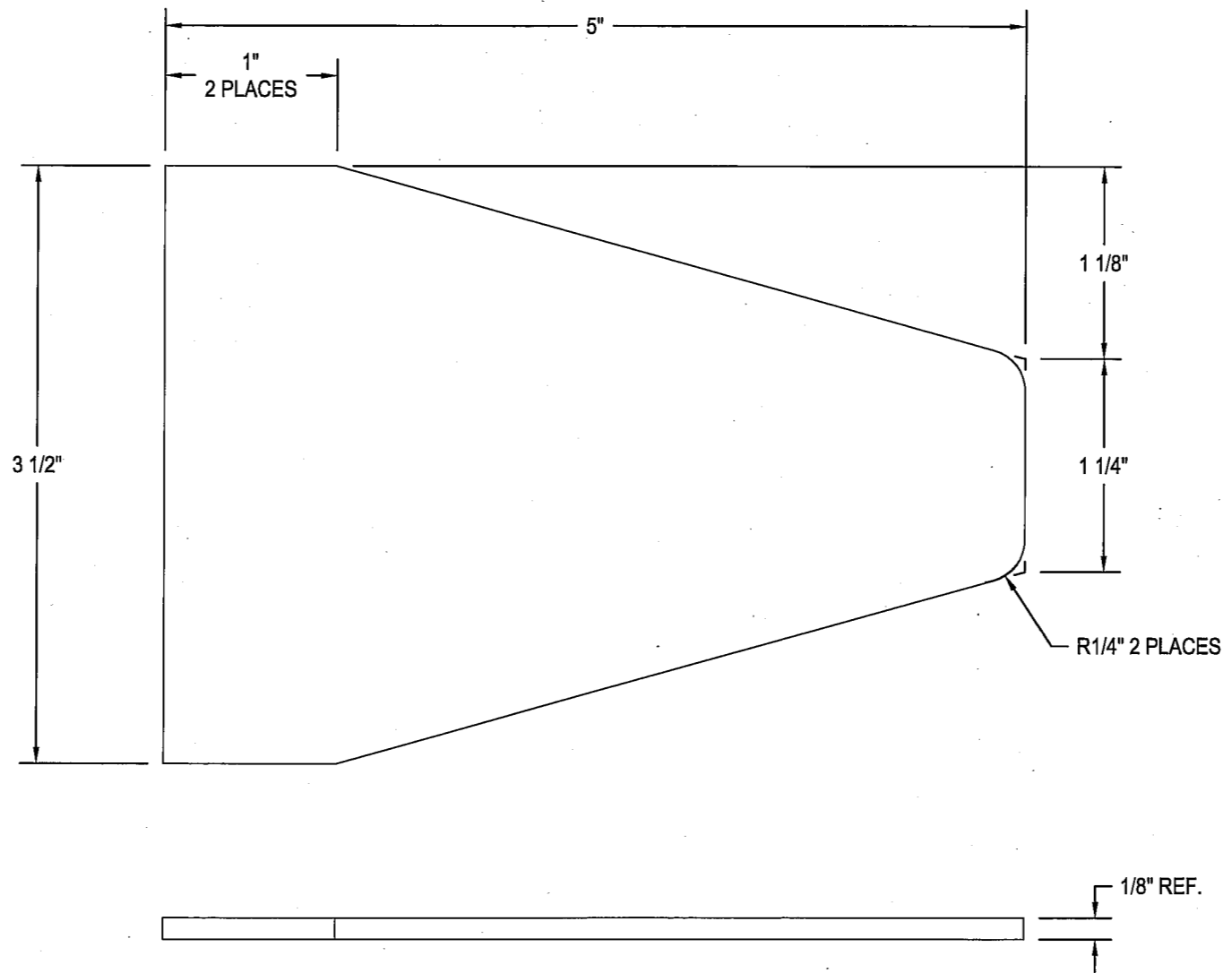
REV.	DATE	BY	REVISION




SURFACE TREATMENT: NONE
 MATERIAL IS 1/4" STEEL PLATE

 ALASKA RAILROAD CORPORATION ENGINEERING SERVICES P.O. BOX 107500, ANCHORAGE, ALASKA 99510-7500		
PROJECT: COLLISION AVOIDANCE SYSTEMS INSTALL HARDWARE		
TITLE: MOUNTING BRACKET MOUNTING PLATE		
DESIGNED BY: EAB	SCALE: N/A	AFE NO.: 14412
DRAWN BY: EAB	DATE: 20/01/10	ACAD FILE:
CHECKED BY: CAS		DWC NO.
APPROVED BY:		8 OF 9

REV.	DATE	BY	REVISION



SURFACE TREATMENT: NONE
 MATERIAL IS 1/8" STEEL PLATE

 ALASKA RAILROAD CORPORATION ENGINEERING SERVICES P.O. BOX 107500, ANCHORAGE, ALASKA 99510-7500		
PROJECT: COLLISION AVOIDANCE SYSTEMS INSTALL HARDWARE		
TITLE: MOUNTING BRACKET GUSSET		
DESIGNED BY: EAB	SCALE: N/A	AFE NO.: 14412
DRAWN BY: EAB		ACAD FILE:
CHECKED BY: <i>EAB</i>	DATE: 20/01/10	DWG NO. 9 OF 9
APPROVED BY:		

REV.	DATE	BY	REVISION